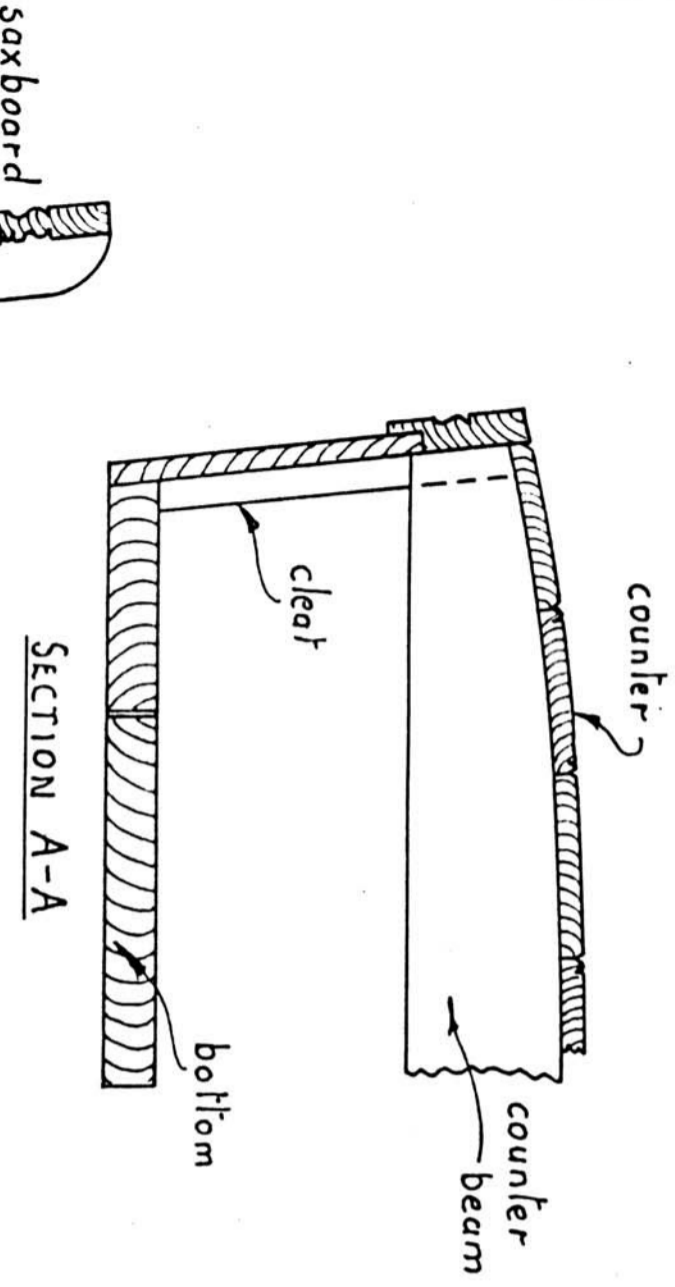
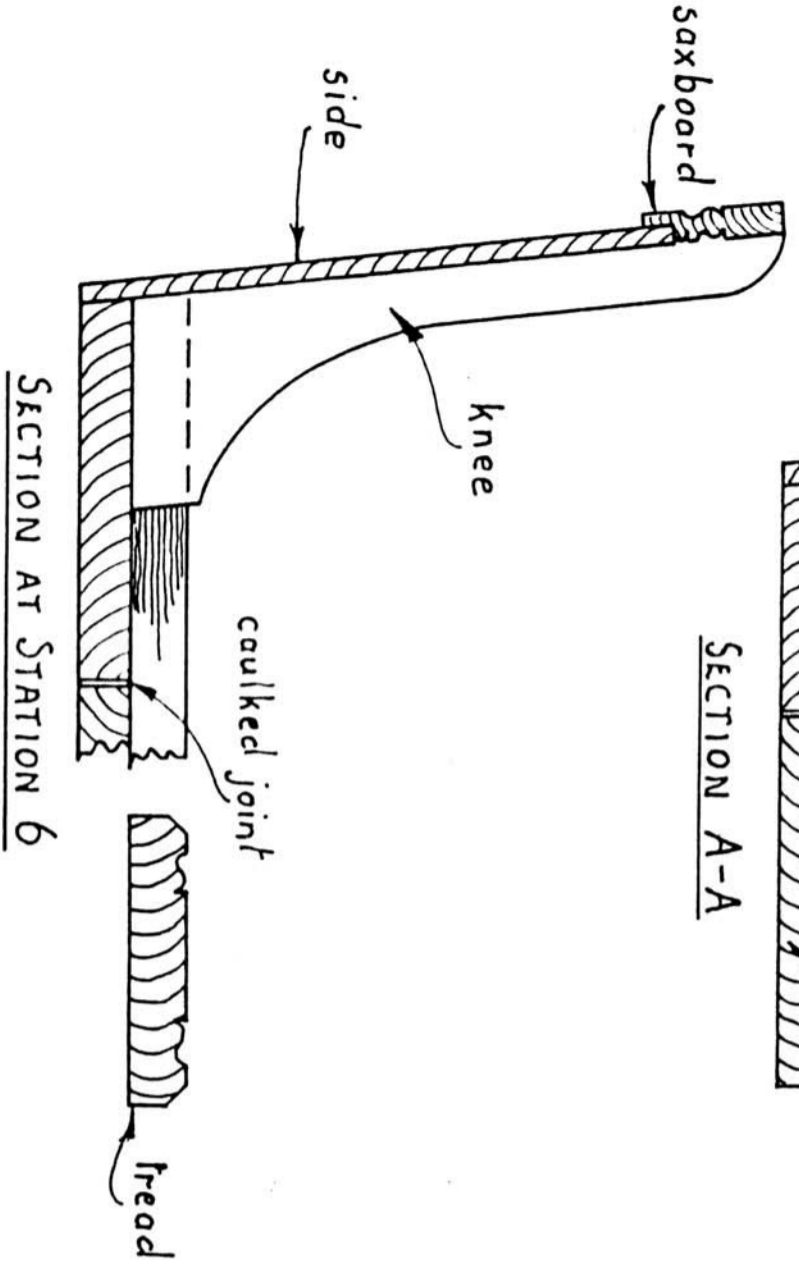


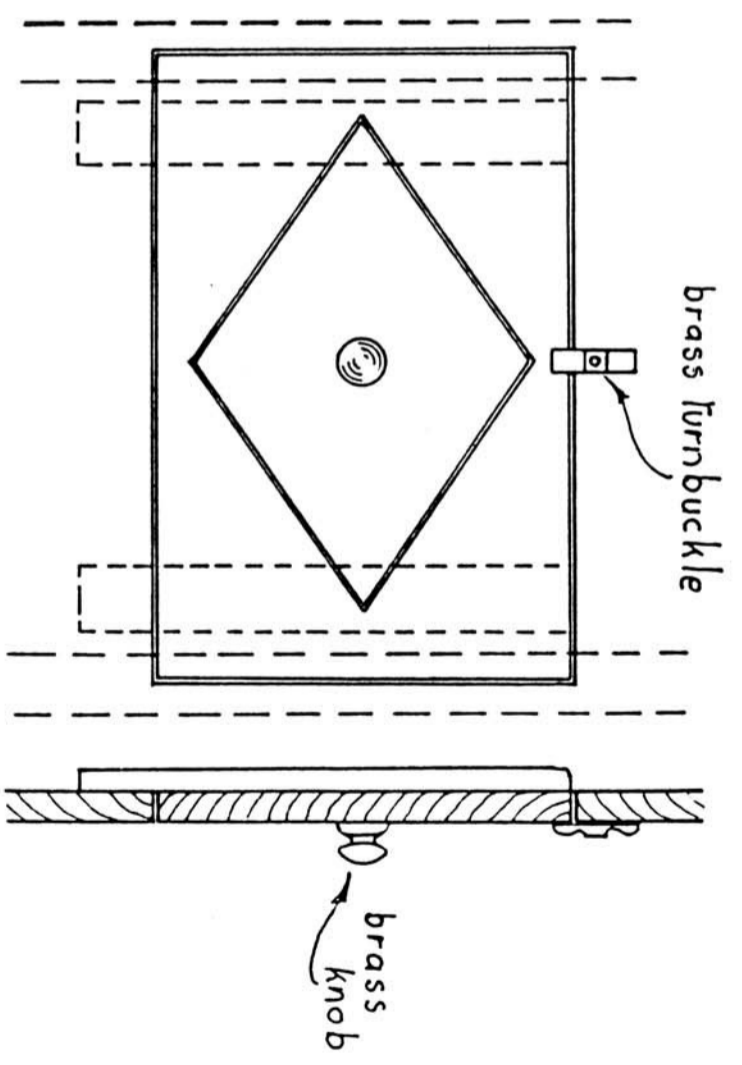
LONGITUDINAL SECTION



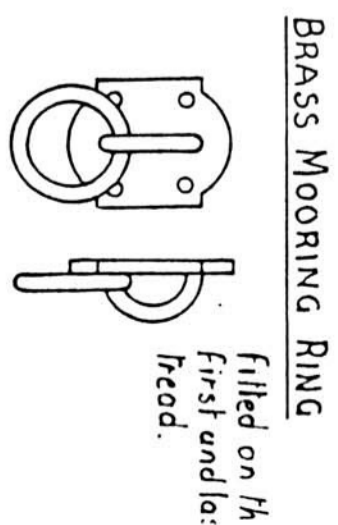
SECTION A-A



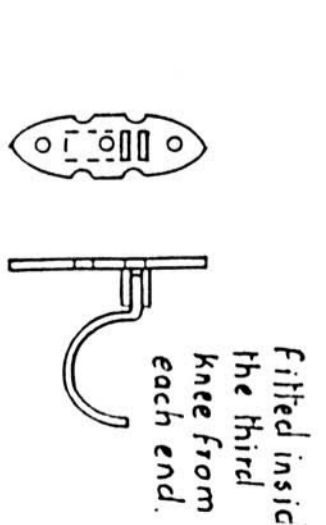
SECTION AT STATION 6



VERTICAL ELEVATION AND SECTION OF HATCH



BRASS MOORING RING



BRASS SWIVEL (POLE) BRACK

Drawing No 101
 No 2 of a set of 2.
 Scale 2 inch and 4 inch to 1 foot.

TWO FOOT RACING PUNT.
 THAMES TRADITIONAL BOAT SOCIETY.

Built by Eton College Boat House.
 Drawn by E. Grant, Windsor.
 Copyright reserved. 1985.